

PARTS LIST

[SP-CR300WD]

* All printed circuit boards and its assemblies are not available as service parts.

Area suffix

E ----- Continental Europe

This is the model to which replacement components are supplied as assembly units instead of spare parts. Accordingly, no exploded view or parts list with each exploded views are provided.

- Contents -

Packing materials and accessories parts list (Block No.M3,M5) 3- 2

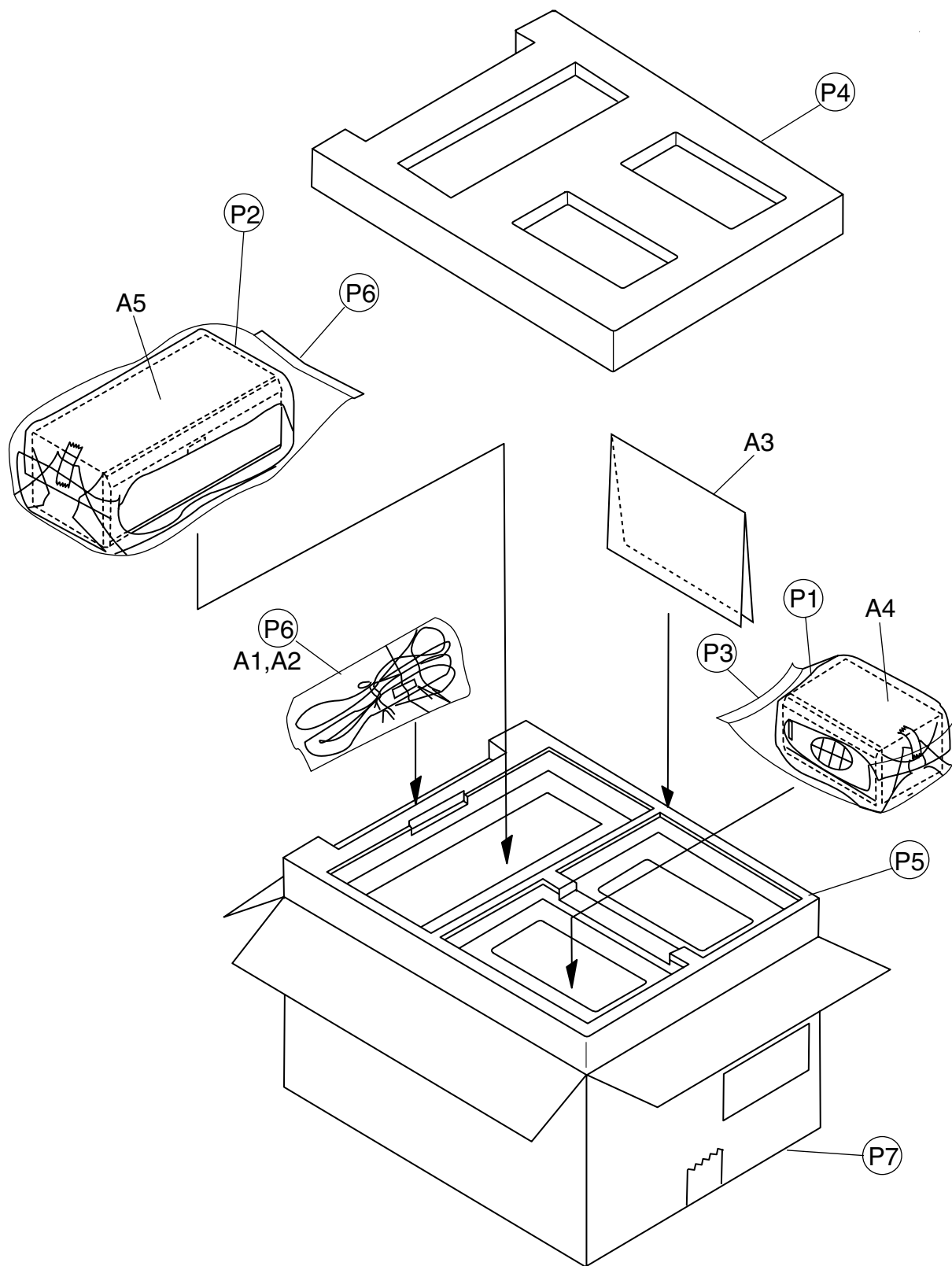
Packing materials and accessories parts list

Block No.

M	3	M	M
---	---	---	---

Block No.

M	5	M	M
---	---	---	---



Parts list (Packing)

Block No. M3MM

△	Item	Parts number	Parts name	Q'ty	Description	Area
	P 1	85-000-356-51	MIRROR MAT	1	FOR REAR SPK	
	P 2	85-000-356-61	MIRROR MAT	1	FOR CENTER SPK	
	P 3	85-000-416-51	PORY BAG	1		
	P 4	80-000-477-01	TOP CUSHION	1		
	P 5	80-000-477-11	BOTTM CUSHION	1		
	P 6	85-000-327-71	PORY BAG	2		
	P 7	83-000-440-41	CARTON	1		

Parts list (Accessories)

Block No. M5MM

△	Item	Parts number	Parts name	Q'ty	Description	Area
	A 1	62-000-415-01	SPK.CORD	1		
	A 2	62-000-415-11	SPK.CORD	1		
	A 3	LVT0796-001A	INST.BOOK	1	ENG GER FRE DUT SPA ITA	
		LVT0796-001A	INST.BOOK	1	SWE FIN DAN	
	A 4	CR300WDC-SPBOX	SPEAKER BOX	1	CENTER SPEAKER	
	A 5	CR300WDR-SPBOX	SPEAKER BOX	2	REAR SPEAKER	